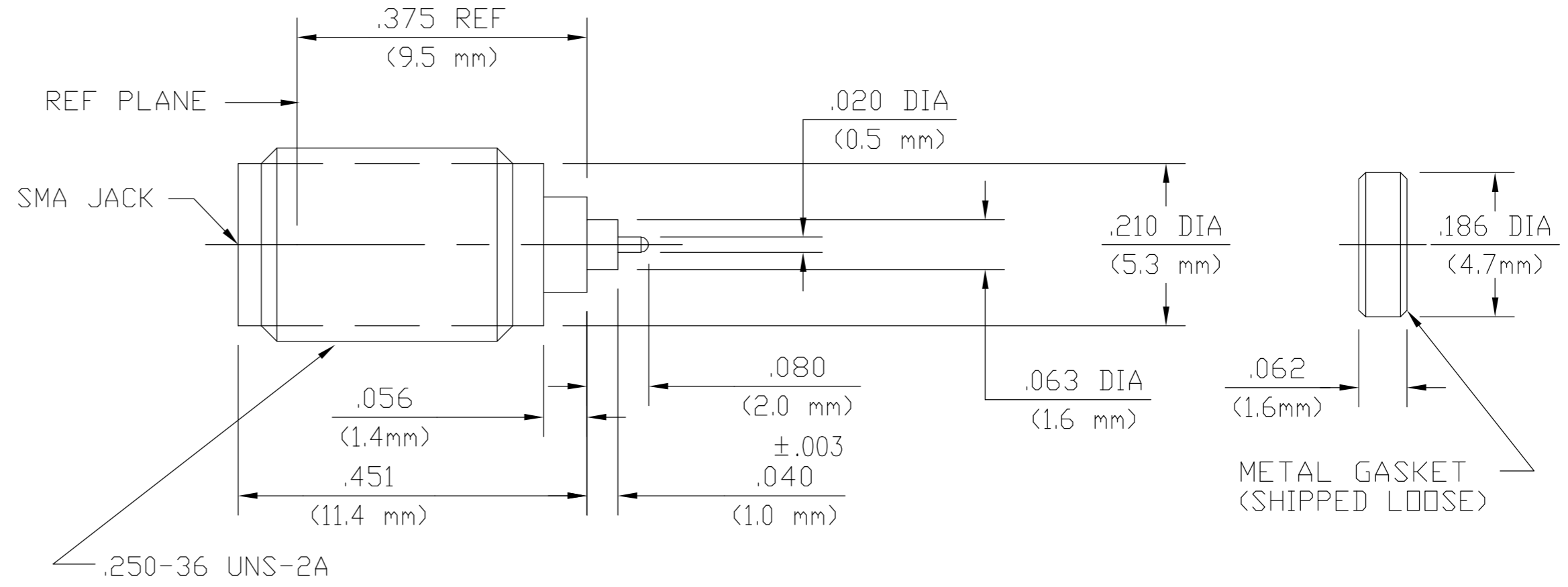
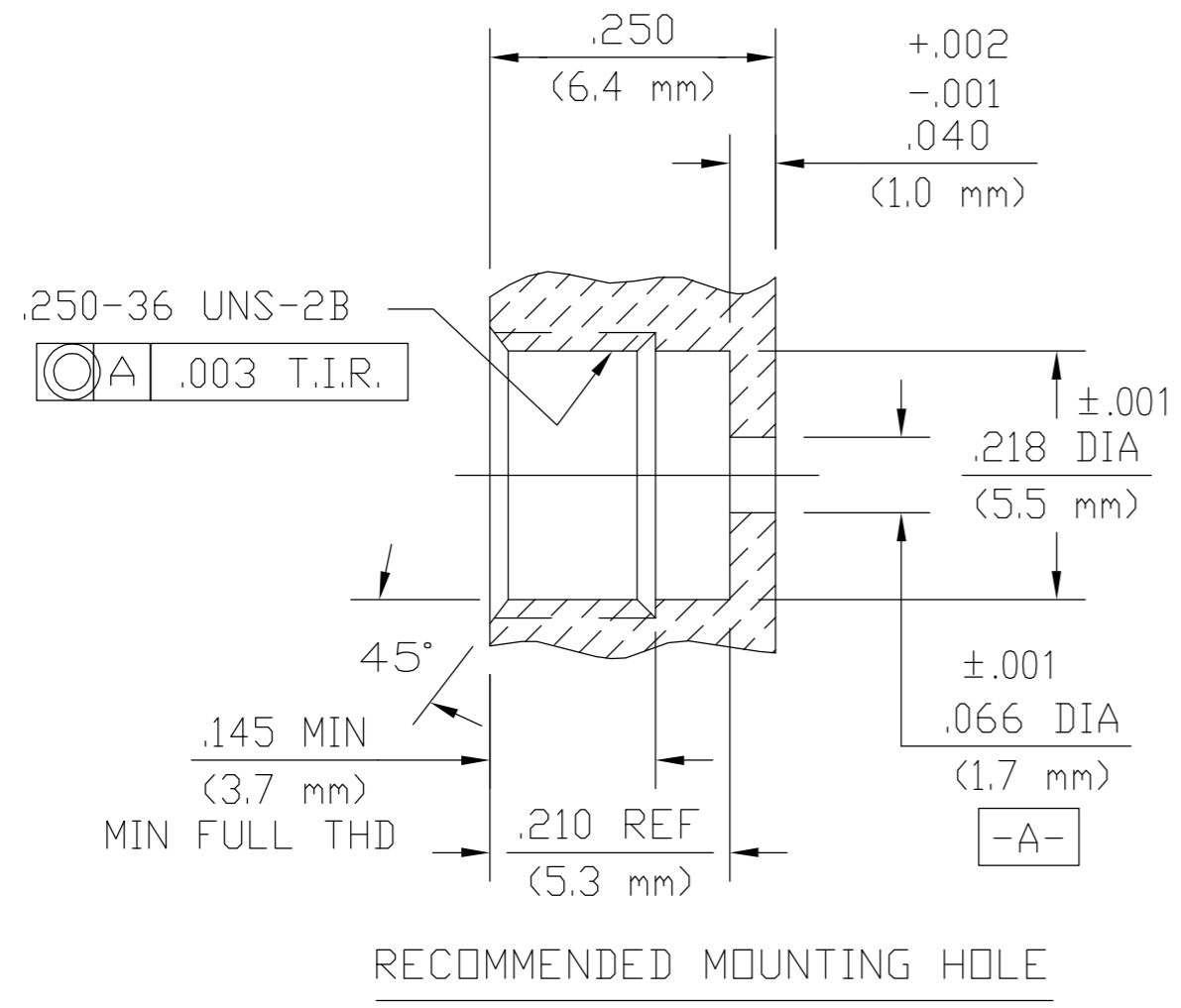


THIS DRAWING IS UNPUBLISHED. RELEASED FOR PUBLICATION  
 © COPYRIGHT BY TYCO ELECTRONICS CORPORATION. ALL RIGHTS RESERVED.

| LOC | DIST | REVISIONS |     |                       |         |     |      |
|-----|------|-----------|-----|-----------------------|---------|-----|------|
| HC  | 00   | P         | LTR | DESCRIPTION           | DATE    | DWN | APVD |
|     |      | A         |     | REV PER ECO 06-002539 | 07APR06 | GB  | JH   |



6053226-1  
 PART NUMBER

|               |                                                       |                             |
|---------------|-------------------------------------------------------|-----------------------------|
| HOUSING       | STAINLESS STEEL PER ASTM-A484 AND ASTM-A582, TYPE 303 | GOLD PLATE PER ASTM B 488   |
| DIELECTRIC    | TFE FLUOROCARBON PER ASTM D 1710                      | N/A                         |
| CTR CONTACT   | BERYLLIUM COPPER PER ASTM B196                        | GOLD PLATE PER ASTM B 488   |
| CONTACT EXT   | IRON-NICKEL-COBALT ALLOY PER MIL-I-23011 (KOVAR)      | GOLD PLATE PER ASTM B 488   |
| METAL GASKET  | SAE C12L14 STEEL                                      | SILVER PLATE PER ASTM B 700 |
| HERMETIC SEAL | GLASS BEAD                                            | N/A                         |
| COMPONENT     | MATERIAL                                              | FINISH                      |

| ELECTRICAL                                                  | MECHANICAL                          | ENVIRONMENTAL                                                                |
|-------------------------------------------------------------|-------------------------------------|------------------------------------------------------------------------------|
| Nominal Impedance (Ohms) 50                                 | Interface Dimensions MIL-STD-348A   | TEMPERATURE RATING -65°C TO +125°C                                           |
| Frequency Range (GHz) DC - 26.5                             | FIG 310.2                           | Vibration - MIL-STD-202, Method 204, Condition D, 20G's                      |
| Volt Rating (VRMS MAX) 335 @ Sea Level                      | Recommended Mating                  | Shock - MIL-STD-202, Method 213, Condition I                                 |
| VSWR 1.04 + (.009 F(GHz))                                   | Torque N/A                          | Thermal Shock MIL-STD-202, Method 107, Condition B                           |
| Insertion Loss (dB MAX) .05√F(GHz)                          | Mating Characteristics:             | EXCEPT HIGH TEMP 115°C                                                       |
| RF Leakage (dB MIN) -(100 - F(GHz))                         | Insertion (MAX Lbs) 3.0             | Moisture Resistance - MIL-STD-202, Method 106                                |
| Corona, 70,000 Ft (VRMS MIN) 333                            | Withdrawal (MIN Oz) 1.0             | Corrosion - MIL-STD-202, Method 101, Condition B, 5% salt spray              |
| Dielectric Withstanding Voltage (VRMS MIN) 1000 @ Sea Level | Force To Engage (In/Lbs MAX) 2.0    | Leak Test - MIL-STD-202, Method 112, Condition C, Procedure I, 1 x 10 CC/Sec |
| Contact Resistance (Milliohms MAX)                          | Force To Disengage (In/Lbs MAX) 2.0 |                                                                              |
| Center Contact 10.0                                         | Center Contact Captivation          |                                                                              |
| Outer Contact 2.0                                           | Axial 6.0 Lbs                       |                                                                              |
| RF High Potential (VRMS MIN @ 5 MHz) 670 @ Sea Level        | Radial N/A                          |                                                                              |
| I.R.(Megohms) 5000                                          | Weight (Grams) T.B.D.               |                                                                              |

THIS DRAWING IS A CONTROLLED DOCUMENT.

DWN M.Y. 18APR91  
 CHK C.W. 18APR91  
 APVD G.D.D. 18APR91

**tyco Electronics** Tyco Electronics Corporation  
 Harrisburg, PA 17105-3608

NAME: SMA PANEL FEEDTHRU JACK RECEPTACLE HERMETICALLY SEALED (2058-5119-00)

SIZE: A2 CAGE CODE: 00779 DRAWING NO: 6053226 RESTRICTED TO: -

WEIGHT: - SCALE: 5:1 SHEET: 1 of 1 REV: A

APPLICATION SPEC: 408-4847

MATERIAL: SEE NOTES FINISH: SEE NOTES

CUSTOMER DRAWING